



Sovitron Interior Pvt.Ltd.



**Model Name**

SILAS-WL3 Wall Light/ DL-OMT-10151-30

**Description**

Wall light

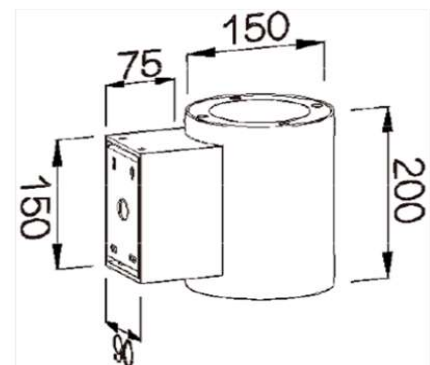
**Technical description**

<b>Dimension</b>	Dia=150mm H=200mm
<b>Frame</b>	Aluminium Die-cast
<b>Color Tempertaure</b>	4000K
<b>Power</b>	30W
<b>Total Luminous Flux</b>	2400 lm
<b>Efficacy</b>	80 lm/W
<b>IP rating</b>	65
<b>Beam angle</b>	12/24/36/60 Degree
<b>Color Rendering</b>	≥80
<b>Mounting</b>	Surface
<b>Optics</b>	Glass Lens
<b>Dimming</b>	NON-Dimmable
<b>Operating Voltage</b>	220-240 VAC
<b>Standard Lifetime</b>	L70 minimum at 50,000 burning hours

**Image**



**Dimension diagram**



**Remarks:-**

Address: Plot #7 Saroorpur-Nangla Industrial Area, Ballabgarh-Sohna Road, Faridabad-121005

Email: [info@sovitron.com](mailto:info@sovitron.com)